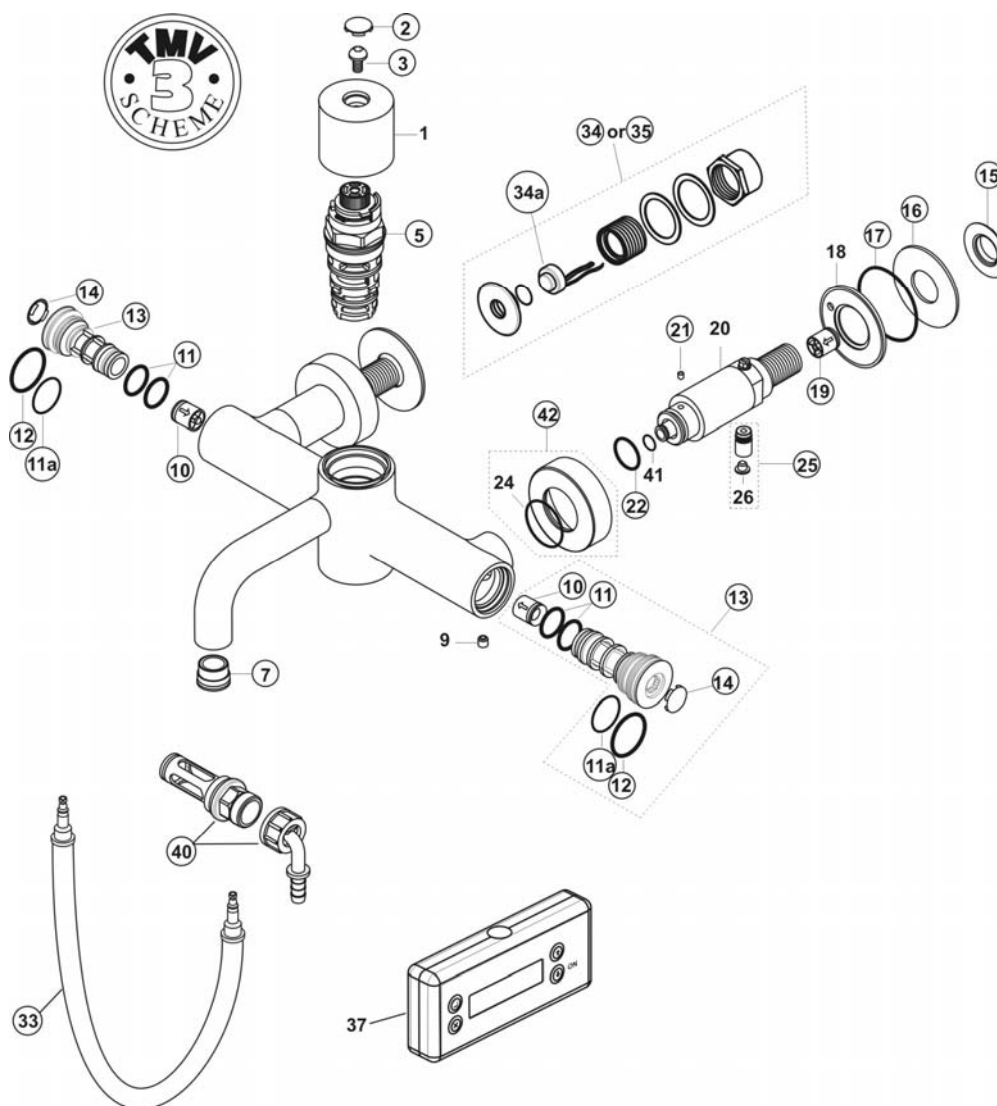


**A4555AA Markwik Timed Flow, Proximity Operated Thermostatic Panel Mounted Mixer Tap**  
**A4554AA Markwik Proximity Thermostatic Panel Mounted Mixer Tap**

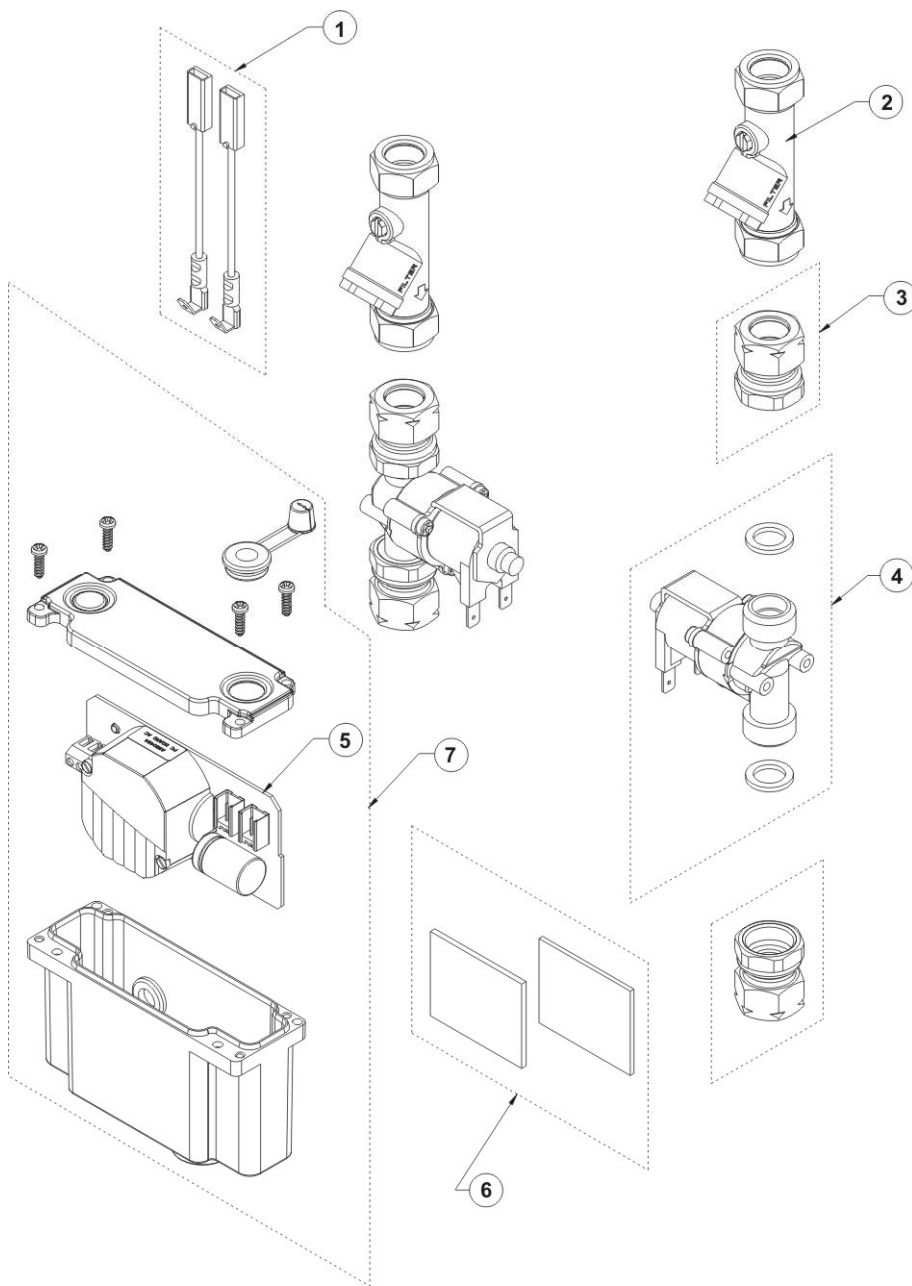


**To Aug10** product uses cartridge E960575NU and Seat E960664NU (whilst stocks last).  
 (E960575NU Identifiers: **WHITE SPINDLE, BRASS ADJUSTMENT RINGS**).  
 Thereafter, use Cartridge A962280NU –**IMPORTANT** when using this cartridge remove  
 brass seat from product.

**From Sep10** products will use only Cartridge A962280NU (brass seat not included).  
 (A962280NU Identifiers: **BLACK SPINDLE, STAINLESS STEEL ADJUSTMENT RINGS**).

Description	Part No.	Ref. Description	Part No.
Lock shield	-	20 Intel leg assembly	-
Cover cap	E960615AA	21 Grub screw M4 x 6	A963667NU
Handle screw	A961950NU	22 O-ring dia 17 x 2.5	A963143NU
Sequential, thermostatic cartridge *	A962280NU	24 O ring 32.1 X 1.6 (shroud)	-
Antisplash	A960191NU	25 Sterilising nipple assembly (fit hand tight only)	A962498AA
Grub screw M6 x 6	-	26 Dust cover	-
Combined check valve & flow regulator	A962689NU	34 Momentary action proximity sensor & housing (A4554)	E960619AA
O-ring dia 17.6 x 2.4	A962497NU	34a Sensor IR complete with wire	A960219NU
O-ring	A962496NU	35 Timed flow proximity sensor & housing (A4555)	E960620AA
O-ring dia 34.0 x 2.0	A960183NU	41 O-ring dia 8.1 x 1.6	-
End cap, Maint carrier & filter complete with o-rings	A962343AA	42 Shroud	A962346AA
Index button	E960641AA	35b Sensor Housing	<a href="#">A963476AA</a>
Backnut	E960112NU	<b>Optional accessories</b>	
Slip washer dia 60 x 25 x 2	E960631NU	33 Disinfection kit (available separately)	S8239NU
O-ring 51.6 x 2.4	E960632NU	37 Remote programming unit (available separately)	A961765NU
Wall plate	E960633NU	40 Purging kit (available separately)	A4556AA
Check valve Dw15 (pair)	A962594NU	43 Seat extraction tool	<a href="#">A963377NU</a>

## Behind Panel Spares



Ref.	Description	Part No.
1	SV link cable 500 long (red & black)	A962447NU
2	Inline service valve with filter only.	E960086NU
3	SV coupler kit (pair)	A962499NU
4	Solenoid valve with seals	A962478NU
5	PCB only with transformer	A960159NU
6	Velcro pad kit	A860704NU
7	PSU Complete	A962881NU